

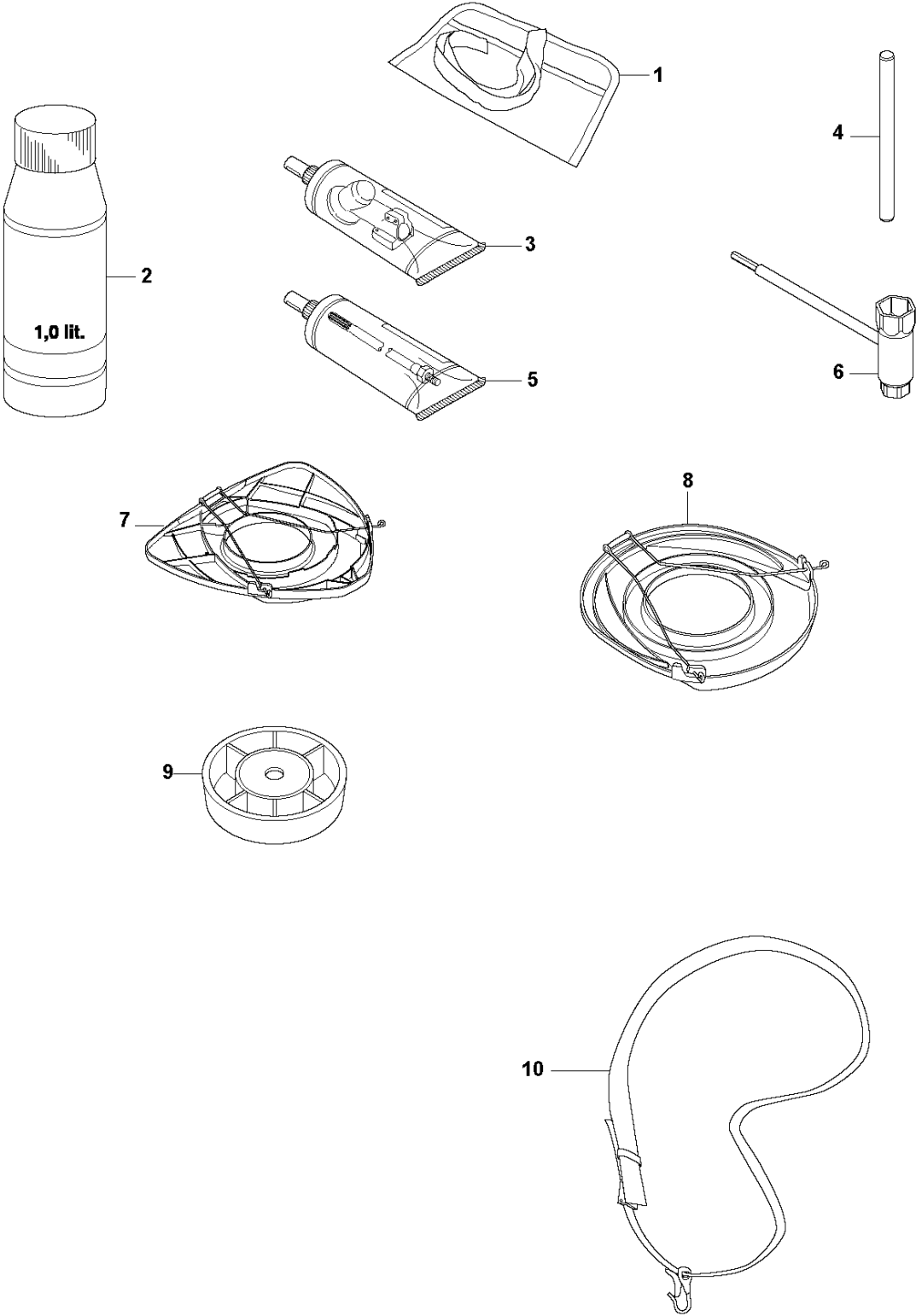


SPARE PARTS LIST

BRUSHCUTTERS/CLEARING SAWS

335 FR

U 333R, 333RJ
335FR, 335LS, 335Lx, 335RJx, 335Rx.
ACCESSORIES

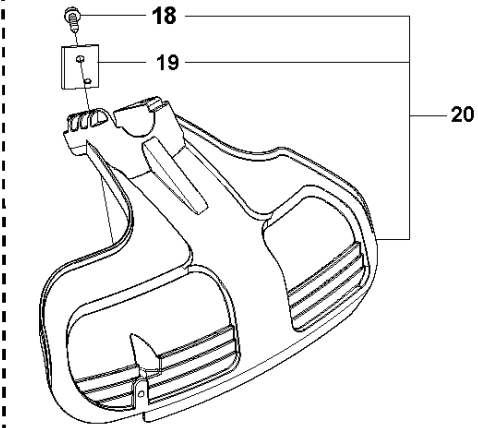
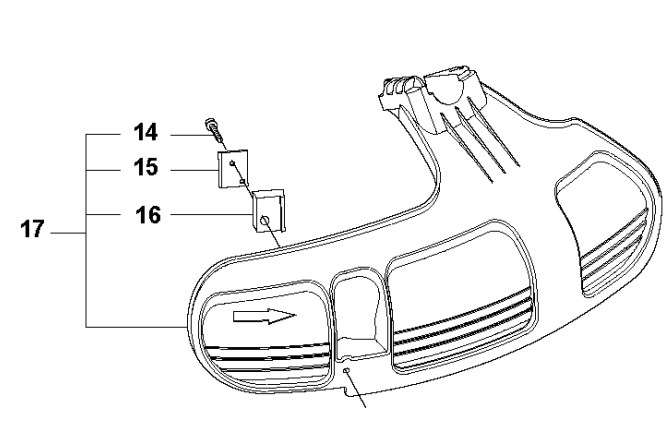
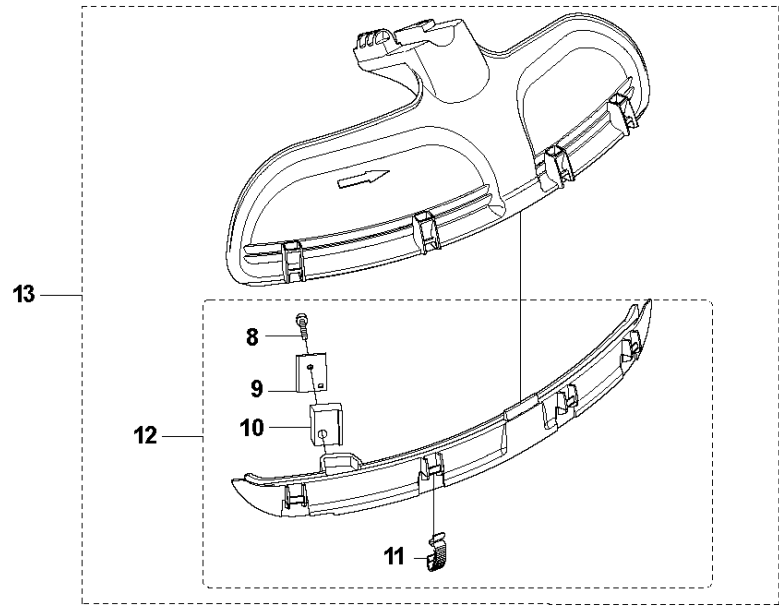
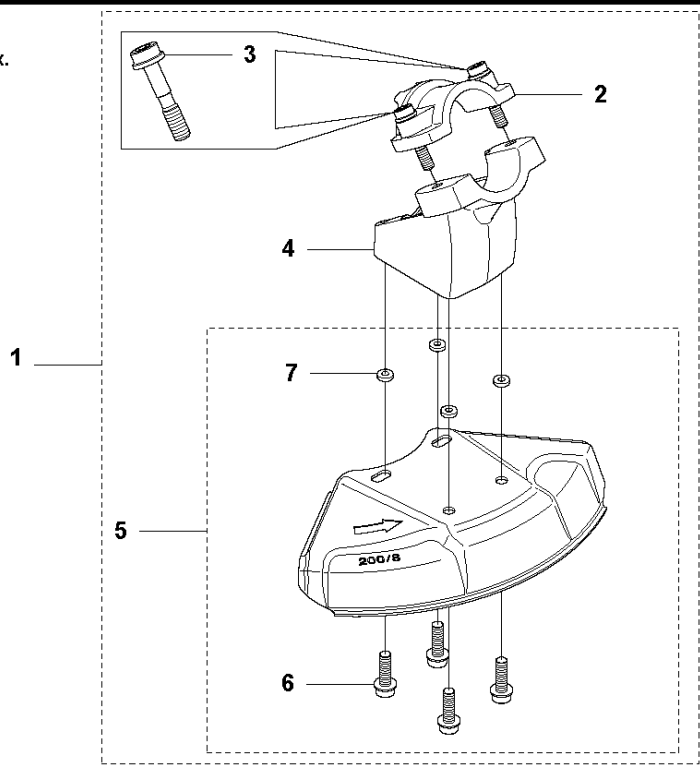


ACCESSORIES

335 FR

Ref	Part no.	Description	Remark	Qty	Kit
1	501 19 22-01	TOOL CASING		1	
2	531 00 92-48	FILTER OIL	Oil Airfilter	1	
3	503 97 64-01	GREASE		1	
4	502 28 59-01	STOP		1	
5	503 80 17-01	GREASE		1	
6	537 36 21-01	COMBINATION WRENCH		1	
7	544 35 91-01	TRANSPORT GUARD		1	
8	537 31 29-01	TRANSPORT GUARD	200-275 mm	1	
9	503 89 01-02	SUPPORT CUP		1	
10	537 21 62-01	HARNESS		1	
10	537 21 62-02	HARNESS	USA	1	

T 333R, 333RJ
335FR, 335LS, 335Lx, 335RJx, 335Rx.
ACCESSORIES

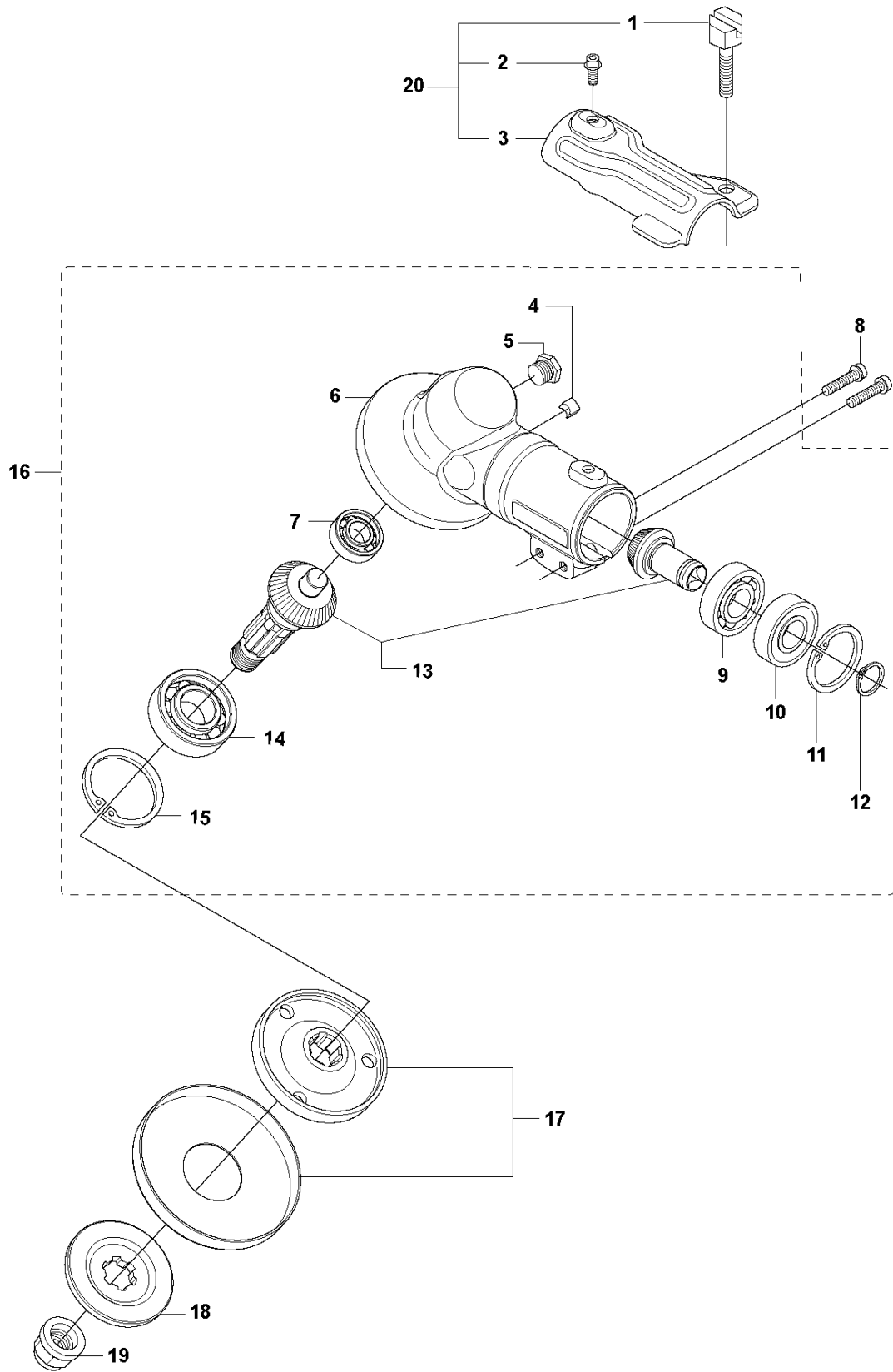


ACCESSORIES

335 FR

Ref	Part no.	Description	Remark	Qty	Kit
1	501 32 04-01	ADAPTER	Incl. Pos. 2-7	1	
2	574 53 06-01	CLAMP	Spare part incl. Screws Pos. 3	1	1
3	573 99 43-04	SCREW IHSCFMO	Captive Screw M5	2	1, 2
4	501 32 08-01	ADAPTER		1	1
5	574 53 26-01	BLADE GUARD	Incl. Pos. 6-7	1	1
6	503 20 02-16	SCREW IHSCFM		4	1, 5
7	574 03 95-01	LOCKING NUT		4	1, 5
8	503 21 07-16	SCREW IHSCFT	333R, 335Rx	1	13
8	503 21 68-25	SCREW IHSCFT	333RJ, 335RJx, 335Lx, 335LS	1	13
9	503 79 88-01	BLADE		1	13
10	544 12 45-01	RETAINER	33RJ, 335RJx, 335Lx, 335LS	1	13
11	537 38 72-01	SNAP		4	13
12	537 39 63-01	SPLASH GUARD	333R, 335Rx	1	13
12	537 39 63-03	SPLASH GUARD	333RJ, 335RJx, 335Lx, 335LS	1	
13	537 33 16-01	COMBI GUARD	333R, 335Rx	1	
13	537 33 16-03	SPLASH GUARD	333RJ, 335Lx, 335RJx, 335LS	1	
14	503 21 68-25	SCREW IHSCFT		1	17
15	503 79 88-01	BLADE		1	17
16	544 12 45-01	RETAINER		1	17
17	537 34 94-03	TRIMMER GUARD		1	
18	503 21 68-25	SCREW IHSCFT		1	20
19	503 79 88-01	BLADE		1	20
20	502 44 81-01	TRIMMER GUARD ASSY		1	

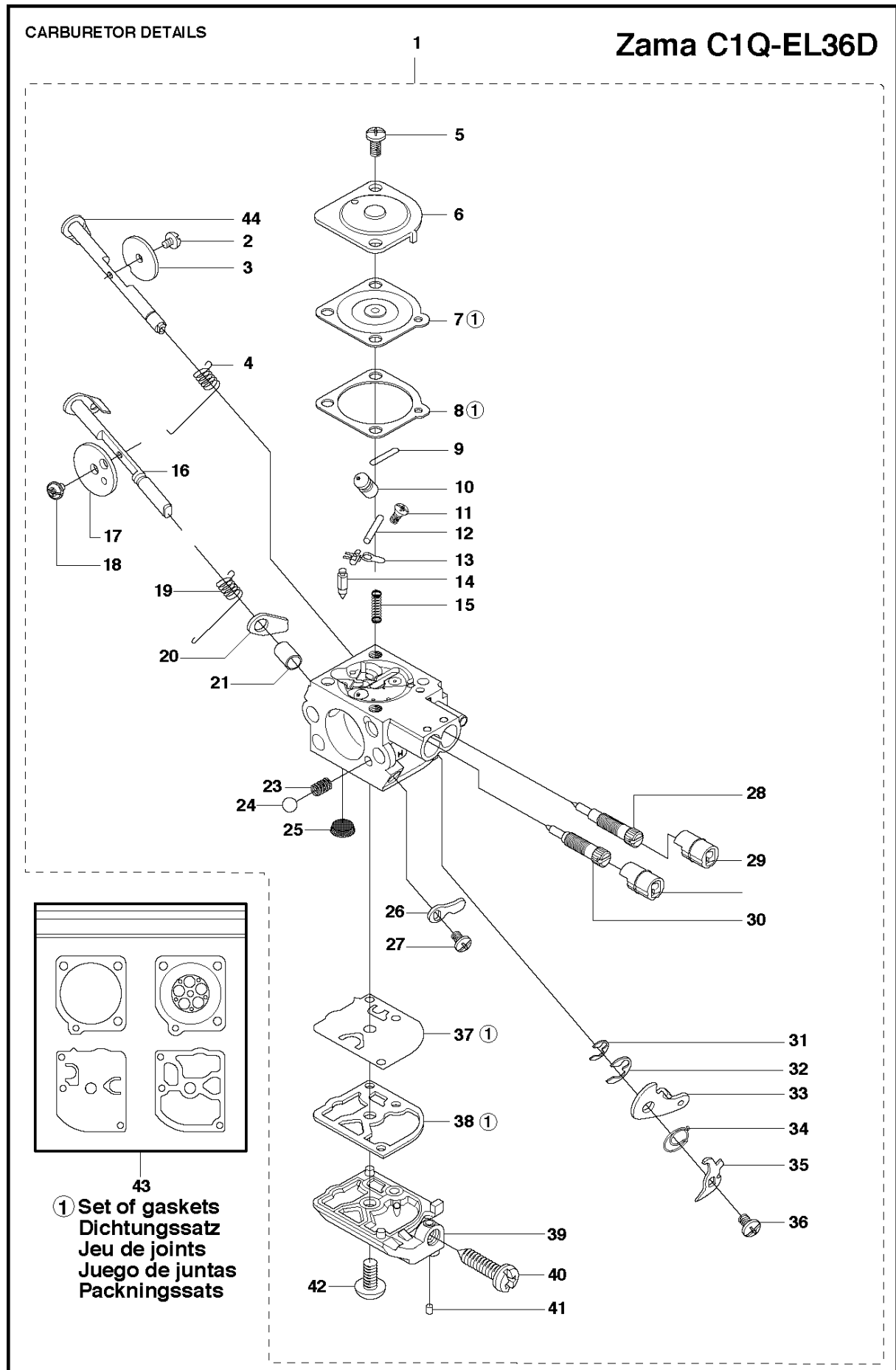
A 333R, 333RJ
335FR, 335LS, 335Lx, 335RJx, 335Rx.
BEVEL GEAR



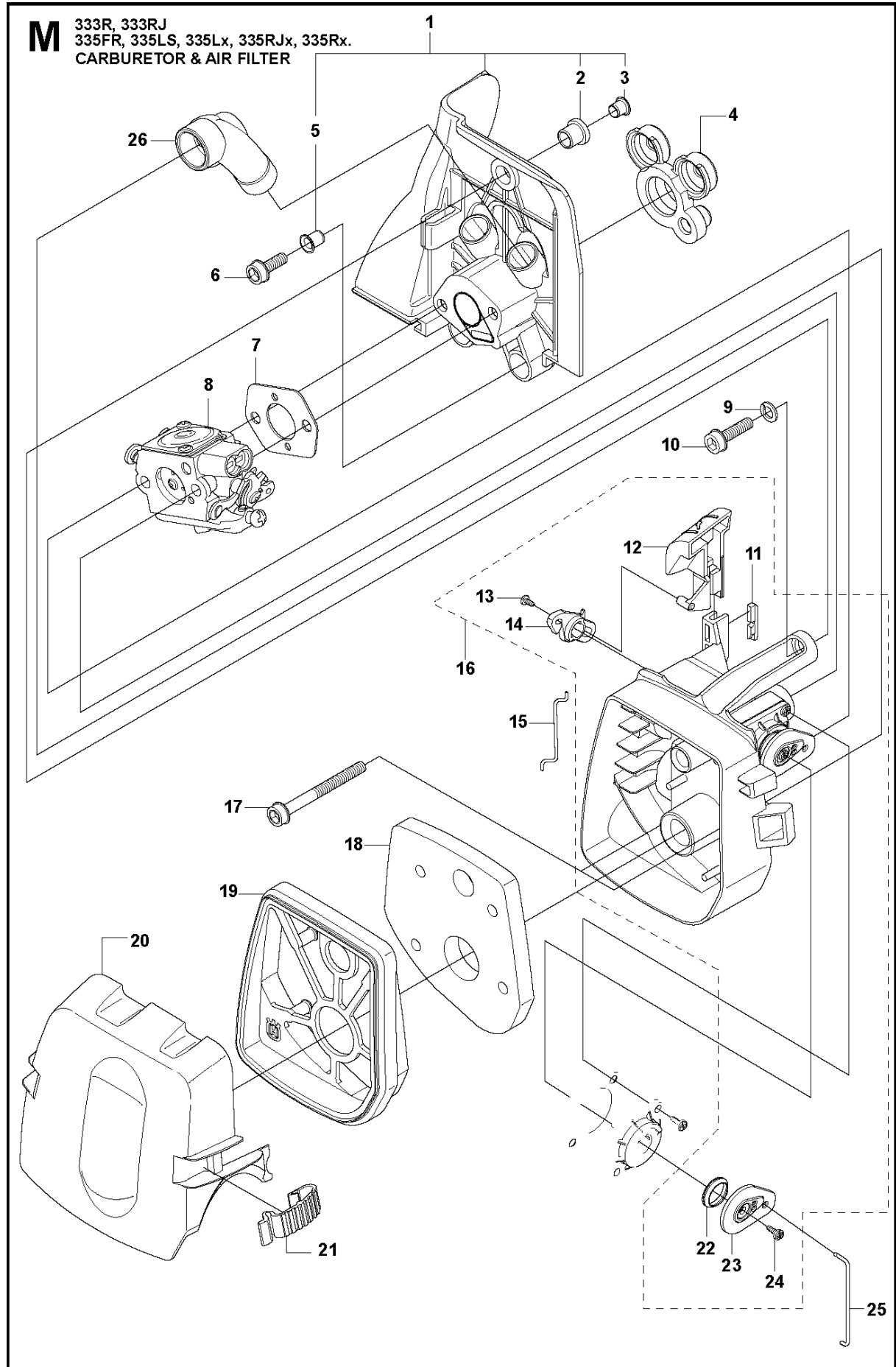
BEVEL GEAR

335 FR

Ref	Part no.	Description	Remark	Qty	Kit
1	537 18 95-01	SCREW		1	20
2	503 20 02-10	SCREW IHSCFM		1	20
3	544 08 76-01	CLAMP		1	20
4	537 14 74-01	MAGNET		1	16
5	503 20 15-01	SCREW IHHM		1	16
6	537 29 59-02	GEAR HOUSING		1	16
7	738 21 99-00	BALL BEARING		1	16
8	503 20 03-25	SCREW IHSCFM		2	
9	738 21 01-10	BALL BEARING		1	16
10	738 21 01-12	BALL BEARING		1	16
11	735 31 28-10	CIRCLIP		1	16
12	735 31 14-00	CIRCLIP		1	16
13	505 13 33-01	SPARE PARTS KIT	333R, 335Rx, 335Fr	1	16
13	505 13 34-01	SPARE PARTS KIT	333RJ, 335RJx, 335Lx, 335LS	1	16
14	503 25 28-01	BALL BEARING		1	16
15	735 31 31-10	CIRCLIP		1	16
16	544 21 64-01	GEAR	333R, 335Rx, 335Fr	1	
16	537 29 58-02	BEVEL GEAR	333RJ, 335RJx, 335Lx, 335LS	1	
17	537 35 14-01	DRIVER	"(1")"	1	
18	537 34 35-01	SUPPORT FLANGE		1	
19	502 29 11-01	NUT BLADE		1	
20	574 30 68-01	CLAMP		1	



Ref	Part no.	Description	Remark	Qty	Kit
1	581 16 75-01	CARBURETTOR		1	
2	503 47 92-01	SCREW		1	1
3	537 41 72-01	VALVE		1	1
4	544 37 24-01	SPRING		1	1
5	503 48 05-01	SCREW		2	1
6	503 97 43-01	COVER		1	1
7	537 04 89-01	DIAPHRAGM		1	1, 43
8	537 02 04-01	GASKET		1	1, 43
9	503 53 56-01	PLUG WELCH		1	1
10	581 89 95-01	MAIN NOZZLE		1	1
11	503 48 01-01	SCREW		1	1
12	503 48 00-01	PIN RETAINING SCREW		1	1
13	503 66 59-01	LEVER		1	1
14	503 47 97-01	VALVE		1	1
15	503 47 81-01	SPRING		1	1
16	544 37 22-01	SHAFT ASSY		1	1
17	537 37 03-01	VALVE		1	1
18	503 48 18-01	SCREW		1	1
19	544 37 26-01	SPRING		1	1
20	544 37 25-01	LEVER		1	1
21	544 42 70-01	COLLAR		1	1
23	537 01 26-01	SPRING		1	1
24	537 01 25-01	BALL		1	1
25	503 48 13-01	STRAINER		1	1
26	544 37 23-01	LEVER		1	1
27	503 47 90-01	SCREW		1	1
28	537 41 69-01	SCREW		1	1
29	537 41 70-01	LIMITER CAP		2	1
30	581 89 93-01	SCREW		1	1
31	537 38 52-01	CLIP		1	1
32	537 38 50-01	CLIP		1	1
33	537 41 73-01	LEVER		1	1
34	576 74 66-01	SPRING		1	1
35	537 41 74-01	LEVER		1	1
36	502 07 84-01	SCREW		1	1
37	537 02 00-01	DIAPHRAGM PUMP		1	1, 43
38	537 02 01-01	GASKET PUMP		1	1, 43
39	537 41 68-01	COVER		1	1
40	537 02 07-01	SCREW		1	1
41	503 48 11-01	PIECE		1	1
42	503 47 96-01	SCREW		1	1
43	531 00 45-52	GASKET KIT		1	
44	544 37 21-01	SHAFT ASSY		1	1

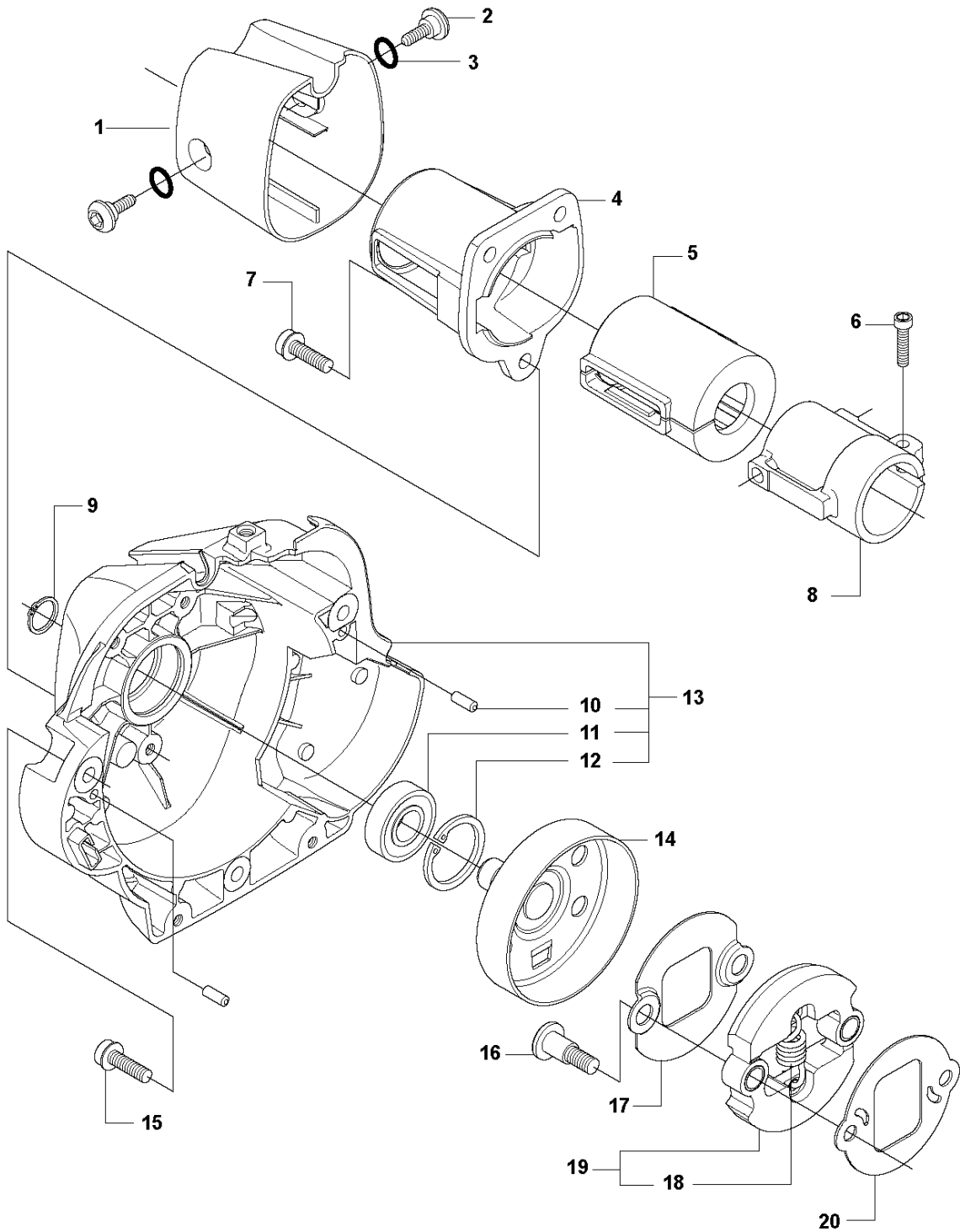


CARBURETOR & AIR FILTER

335 FR

Ref	Part no.	Description	Remark	Qty	Kit
1	537 37 12-01	INSULATION WALL		1	
2	537 37 11-01	SLEEVE		1	1
3	544 01 91-01	TUBULAR RIVET		1	1
4	537 33 43-01	INLET PIPE		1	
5	537 37 38-03	TUBULAR RIVET		2	1
6	503 20 03-16	SCREW IHSCFM		2	
7	503 49 71-01	GASKET		1	
8	581 16 75-01	CARBURETTOR		1	
9	503 23 10-06	WASHER		1	
10	503 20 03-20	SCREW IHSCFM		1	
11	544 02 58-01	BAR		1	16
12	537 33 71-01	CHOKE CONTROL		1	16
13	503 21 29-06	SCREW CCRPANT		1	16
14	537 35 58-01	LEVER		1	16
15	544 37 27-01	SLEEVING BRACKET		1	
16	537 31 41-01	FILTER HOLDER		1	
17	503 21 75-50	SCREW IHSCFT		2	
18	537 33 72-01	FILTER		1	
19	537 31 42-01	FRAME		1	
20	537 31 44-01	FILTER COVER		1	
21	537 38 72-01	SNAP		2	
22	544 01 47-01	BELLOWS		1	16
23	544 01 46-01	LEVER		1	16
24	503 21 29-06	SCREW CCRPANT		1	16
25	537 34 90-01	LEVER		1	
26	537 34 13-01	AIR DUCT		1	

G 333R, 333RJ
335FR, 335LS, 335Lx, 335RJx, 335Rx.
CLUTCH & CLUTCH COVER

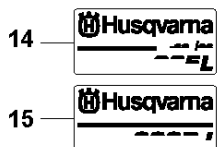
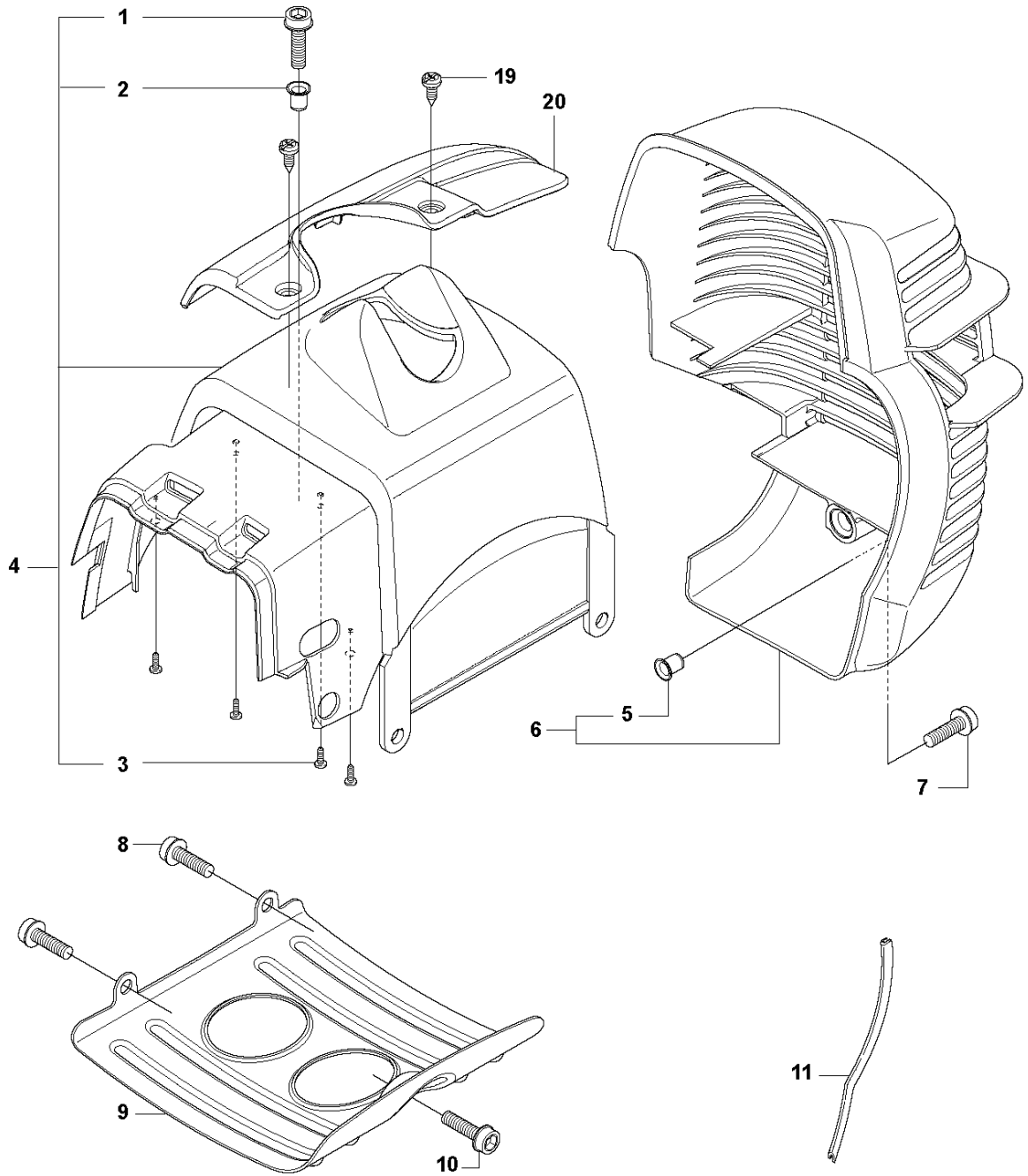


CLUTCH

335 FR

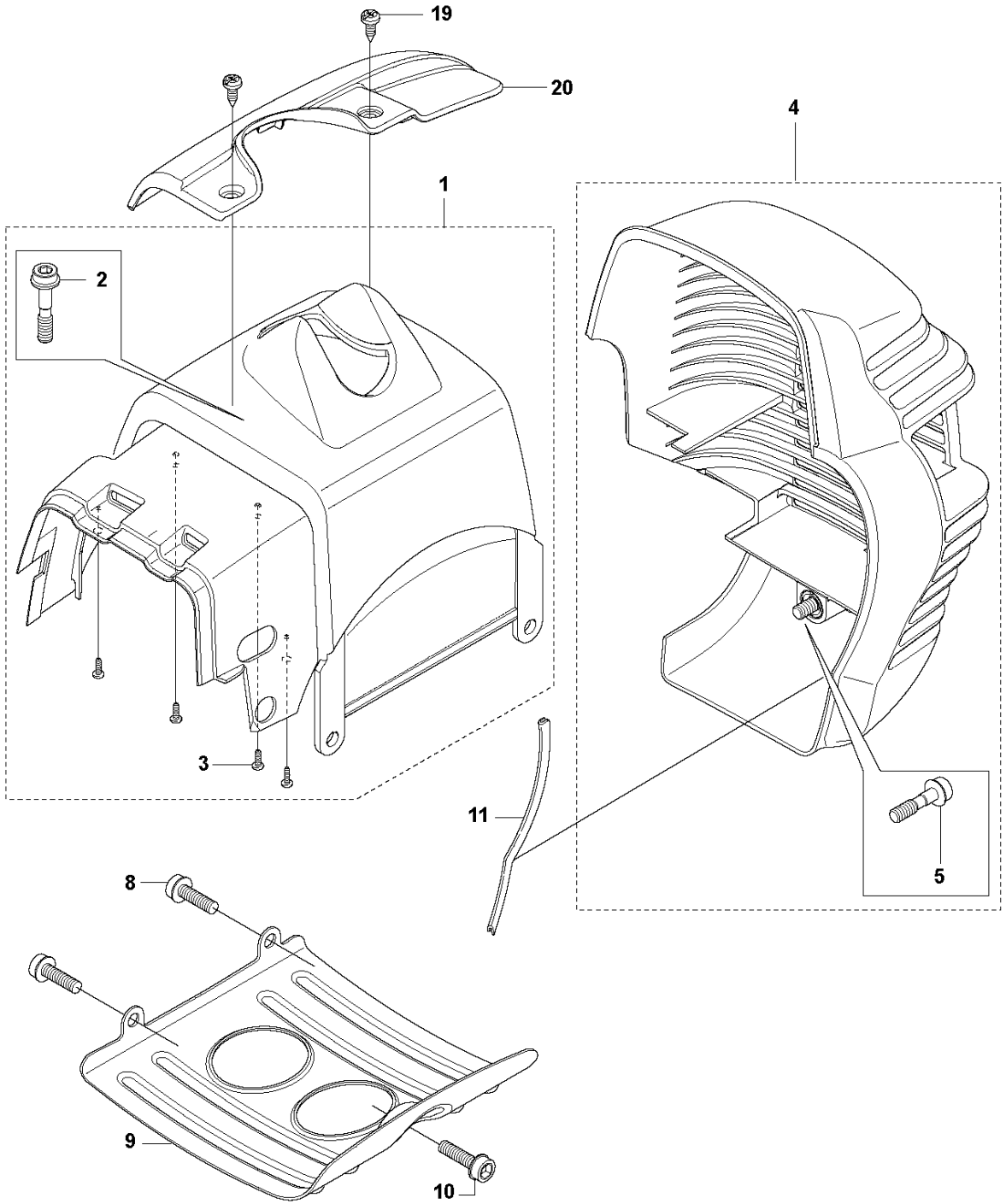
Ref	Part no.	Description	Remark	Qty	Kit
1	544 11 97-01	COVER	333RJ, 335RJx, 335Lx, 335LS	1	
1	537 32 61-01	COVER	333R, 335Rx, 335FR	1	
2	503 96 13-01	SCREW		2	
3	740 42 06-00	O-RING		2	
4	537 31 00-01	COVER		1	
5	537 32 27-01	ANTIVIBRATION ELEMENT		1	
6	725 53 33-55	SCREW IHSCM		1	
7	503 20 03-20	SCREW IHSCFM		3	
8	537 31 01-01	COMPRESSION SLEEVE	333R, 335Rx, 335FR	1	
8	537 31 01-02	COMPRESSION SLEEVE	333RJ, 335RJx, 335Lx, 335LS	1	
9	735 31 14-00	CIRCLIP		1	
10	503 24 07-02	PARALLEL PIN		2	13
11	738 21 01-04	BALL BEARING		1	13
12	735 31 28-10	CIRCLIP		1	13
13	537 30 29-01	CLUTCH COVER		1	
14	537 35 29-01	CLUTCH DRUM		1	
15	503 20 03-20	SCREW IHSCFM		3	
16	537 41 81-01	SCREW		2	
17	537 41 57-01	WASHER		1	
18	537 42 72-01	SPRING		1	19
19	537 34 04-01	CLUTCH		1	
20	537 04 68-01	WASHER		1	

H1 333R, 333RJ
335FR, 335LS, 335Lx, 335RJx, 335Rx.
COVERS



Ref	Part no.	Description	Remark	Qty	Kit
1	503 20 03-20	SCREW IHSCFM		1	4
2	537 37 38-02	TUBULAR RIVET		1	4
3	503 21 29-10	SCREW CCRPANT		4	4
4	544 16 01-01	CYLINDER COVER		1	
5	537 37 38-03	TUBULAR RIVET		1	6
6	537 42 51-01	HEAT PROTECTOR		1	
7	503 20 03-20	SCREW IHSCFM		1	
8	503 21 75-16	SCREW IHSCFT		2	
9	537 35 72-01	PROTECTIVE PLATE		1	
10	503 21 75-16	SCREW IHSCFT		1	
11	544 02 98-01	BAR		1	
12	537 39 52-08	LABEL	335LS	1	
13	537 39 52-09	LABEL	335FR	1	
14	537 39 52-02	LABEL	335Lx	1	
15	537 39 52-03	LABEL	333RJ	1	
16	537 39 52-04	LABEL	333R	1	
17	537 39 52-05	LABEL	335RJx	1	
18	537 39 52-06	LABEL	335Rx	1	
19	503 21 35-02	SCREW CCRPANT	335LS, 335RJX	2	
20	502 43 39-01	ARM PROTECTION		1	

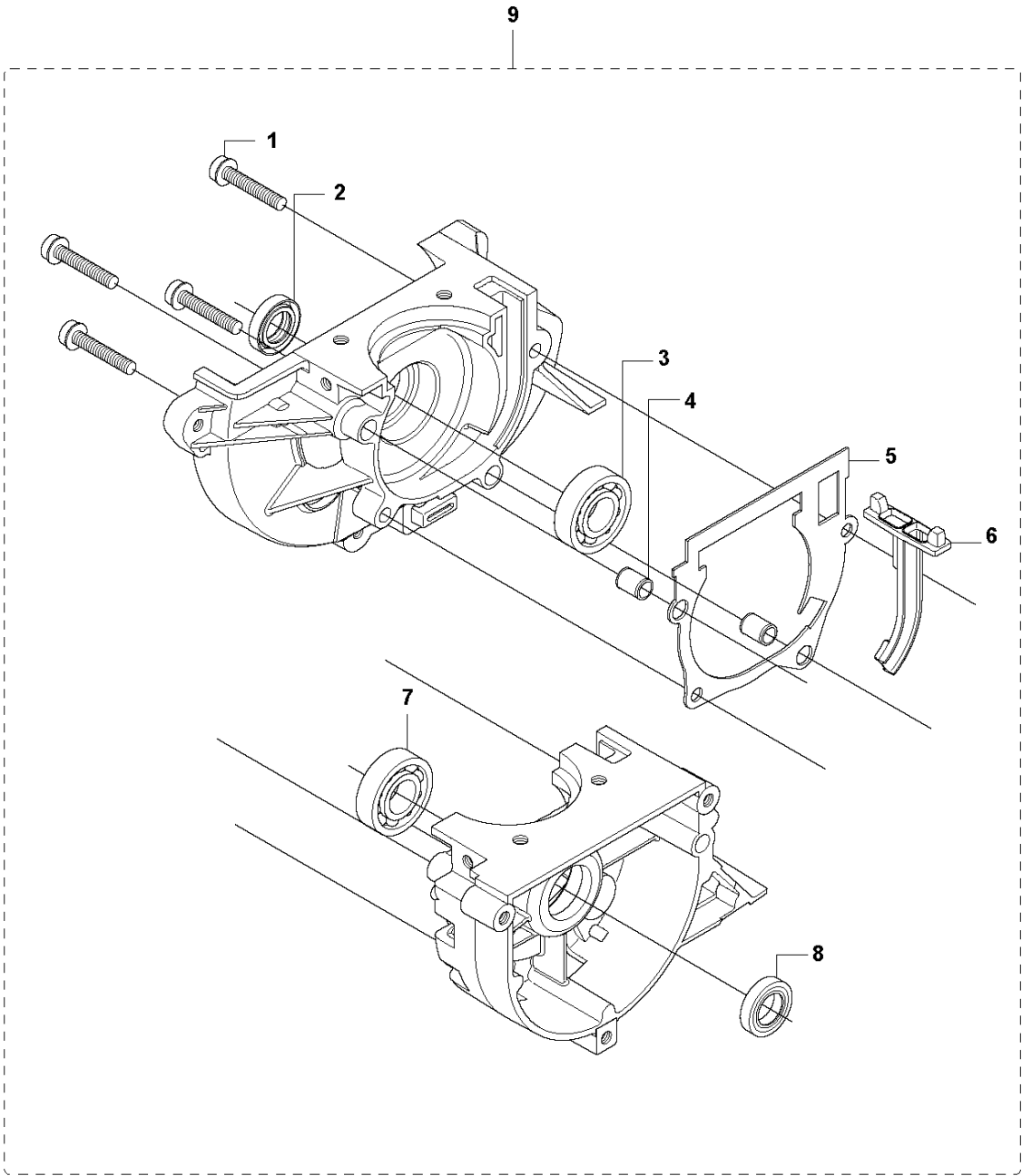
H2 333R, 333RJ
335FR, 335LS, 335Lx, 335RJx, 335Rx.
COVERS



- | | | | | | |
|----|--|----|--|----|--|
| 12 | | 14 | | 16 | |
| 13 | | 15 | | 17 | |
| | | | | 18 | |

Ref	Part no.	Description	Remark	Qty	Kit
1	544 16 01-02	CYLINDER COVER	Captive screws	1	
2	573 99 43-04	SCREW IHSCFMO	Captive screws	1	1
3	503 21 29-10	SCREW CCRPANT		4	1
4	537 42 51-02	HEAT PROTECTOR	Captive screws	1	
5	574 47 70-03	SCREW IHSCFMO	Captive screws	1	4
8	503 21 75-16	SCREW IHSCFT		2	
9	537 35 72-01	PROTECTIVE PLATE		1	
10	503 21 75-16	SCREW IHSCFT		1	
11	544 02 98-01	BAR		1	
12	537 39 52-08	LABEL	335LS	1	
13	537 39 52-09	LABEL	335FR	1	
14	537 39 52-02	LABEL	335Lx	1	
15	537 39 52-03	LABEL	333RJ	1	
16	537 39 52-04	LABEL	333R	1	
17	537 39 52-05	LABEL	335RJx	1	
18	537 39 52-06	LABEL	335Rx	1	
19	503 21 35-02	SCREW CCRPANT	335Rx	2	
20	502 43 39-01	ARM PROTECTION	335Rx	1	

R 333R, 333RJ
335FR, 335LS, 335Lx, 335RJx, 335Rx.
CRANK CASE

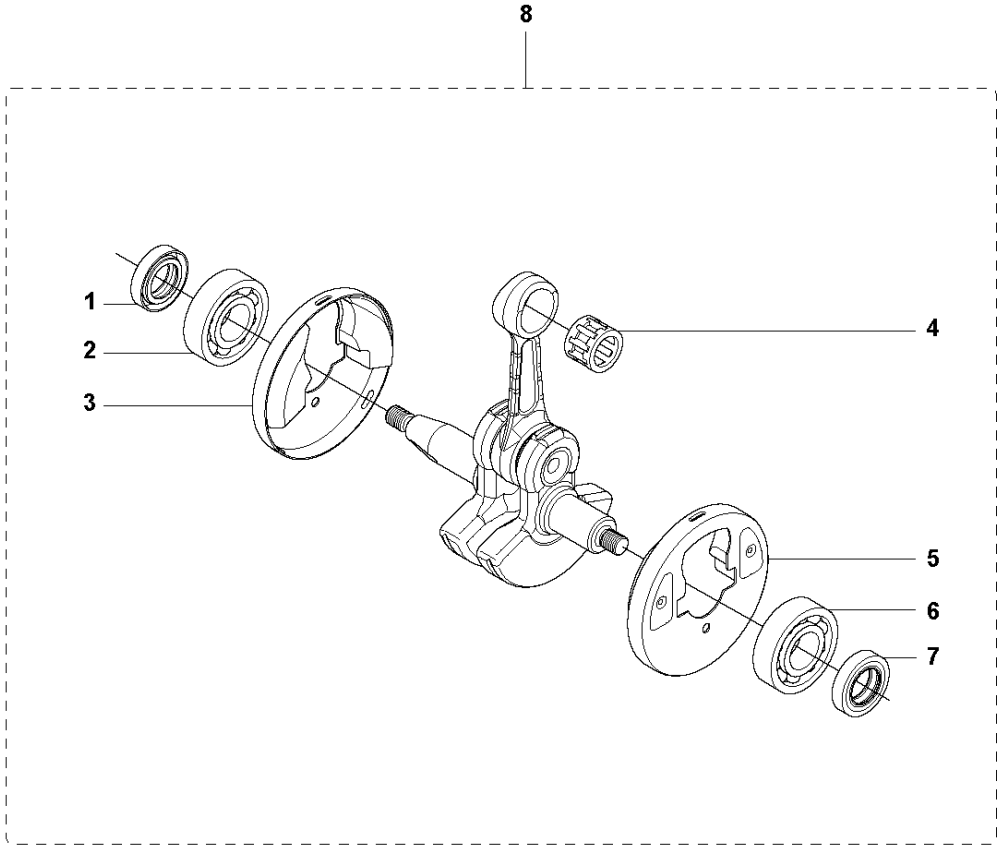


CRANKCASE

335 FR

Ref	Part no.	Description	Remark	Qty	Kit
1	503 20 02-30	SCREW IHSCFM		4	9
2	503 26 02-02	SEALING RING		1	9
3	738 21 01-10	BALL BEARING		1	9
4	501 27 08-01	GUIDE BUSHING		2	9
5	537 33 29-01	GASKET		1	9
6	537 32 42-01	INSERT		1	9
7	738 21 01-10	BALL BEARING		1	9
8	503 26 02-02	SEALING RING		1	9
9	544 03 89-01	CRANKCASE ASSY		1	

Q 333R, 333RJ
335FR, 335LS, 335Lx, 335RJx, 335Rx.
CRANK SHAFT

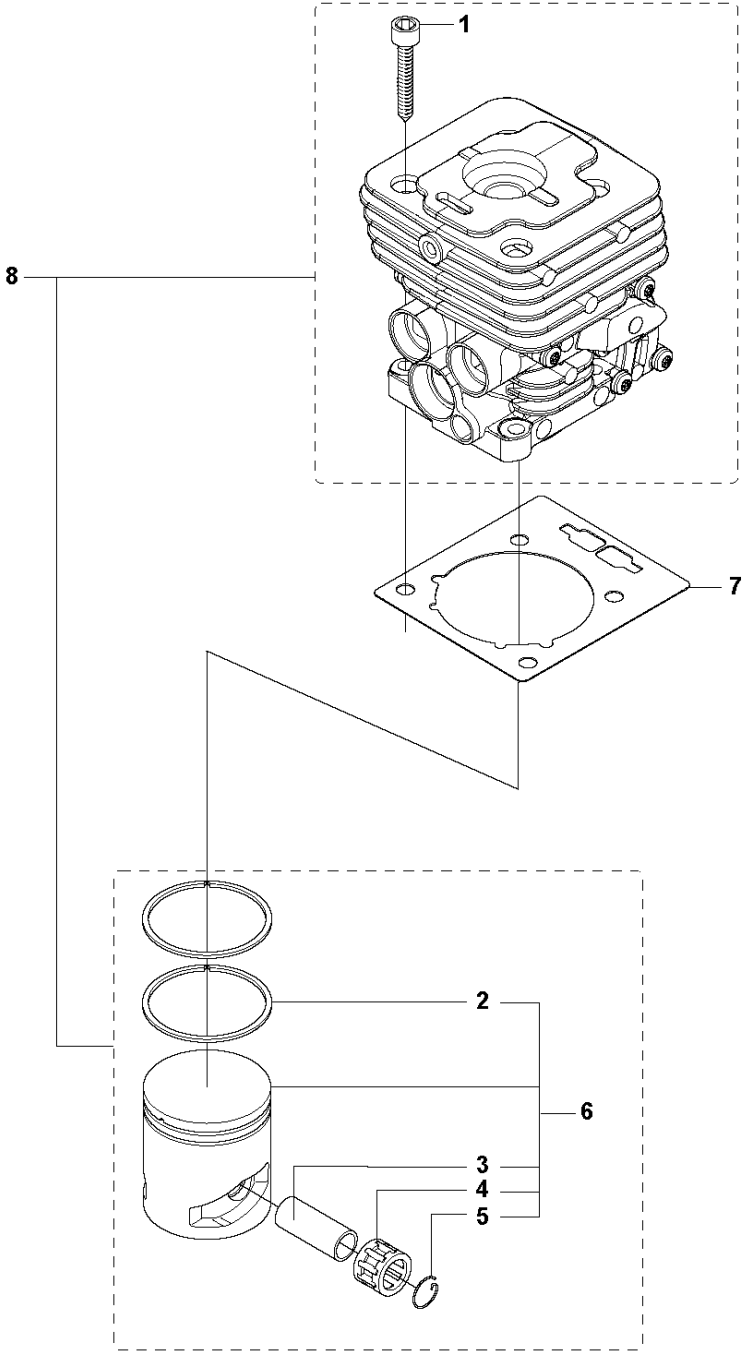


CRANKSHAFT

335 FR

Ref	Part no.	Description	Remark	Qty	Kit
1	503 26 02-02	SEALING RING		1	8
2	738 21 01-10	BALL BEARING		1	8
3	537 29 76-01	CUP		1	8
4	503 41 41-01	NEEDLE BEARING		1	8
5	537 29 76-01	CUP		1	8
6	738 21 01-10	BALL BEARING		1	8
7	503 26 02-02	SEALING RING		1	8
8	544 03 90-01	CRANKSHAFT ASSY		1	

P 333R, 333RJ
335FR, 335LS, 335Lx, 335RJx, 335Rx.
CYLINDER PISTON

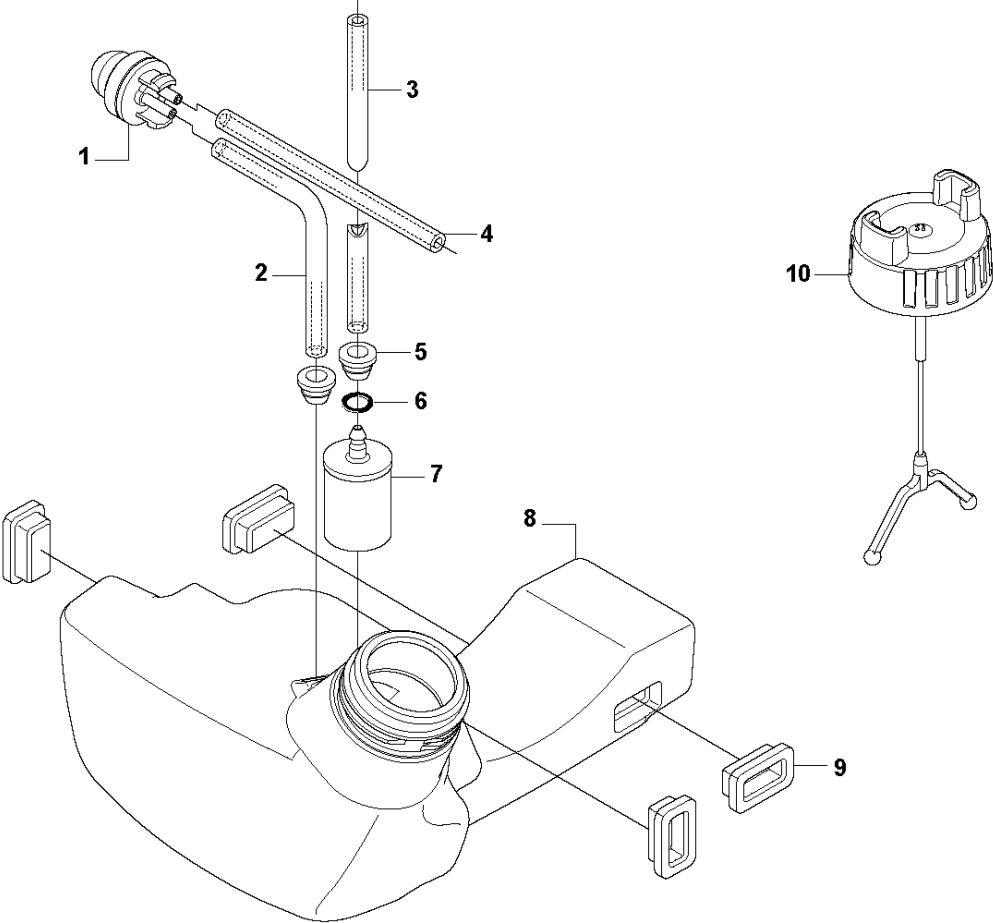


CYLINDER PISTON

335 FR

Ref	Part no.	Description	Remark	Qty	Kit
1	503 20 08-23	SCREW IHSCM		4	8
2	503 28 90-54	PISTON RING		2	6,8
3	503 28 91-19	PISTON PIN		1	6,8
4	503 41 41-01	NEEDLE BEARING		1	6,8
5	737 44 10-00	SNAP RING		2	6,8
6	537 31 28-02	PISTON		1	8
7	537 33 30-01	GASKET		1	
8	544 40 06-01	CYLINDER ASSY	Ø = 38mm. 574 36 43-01	1	

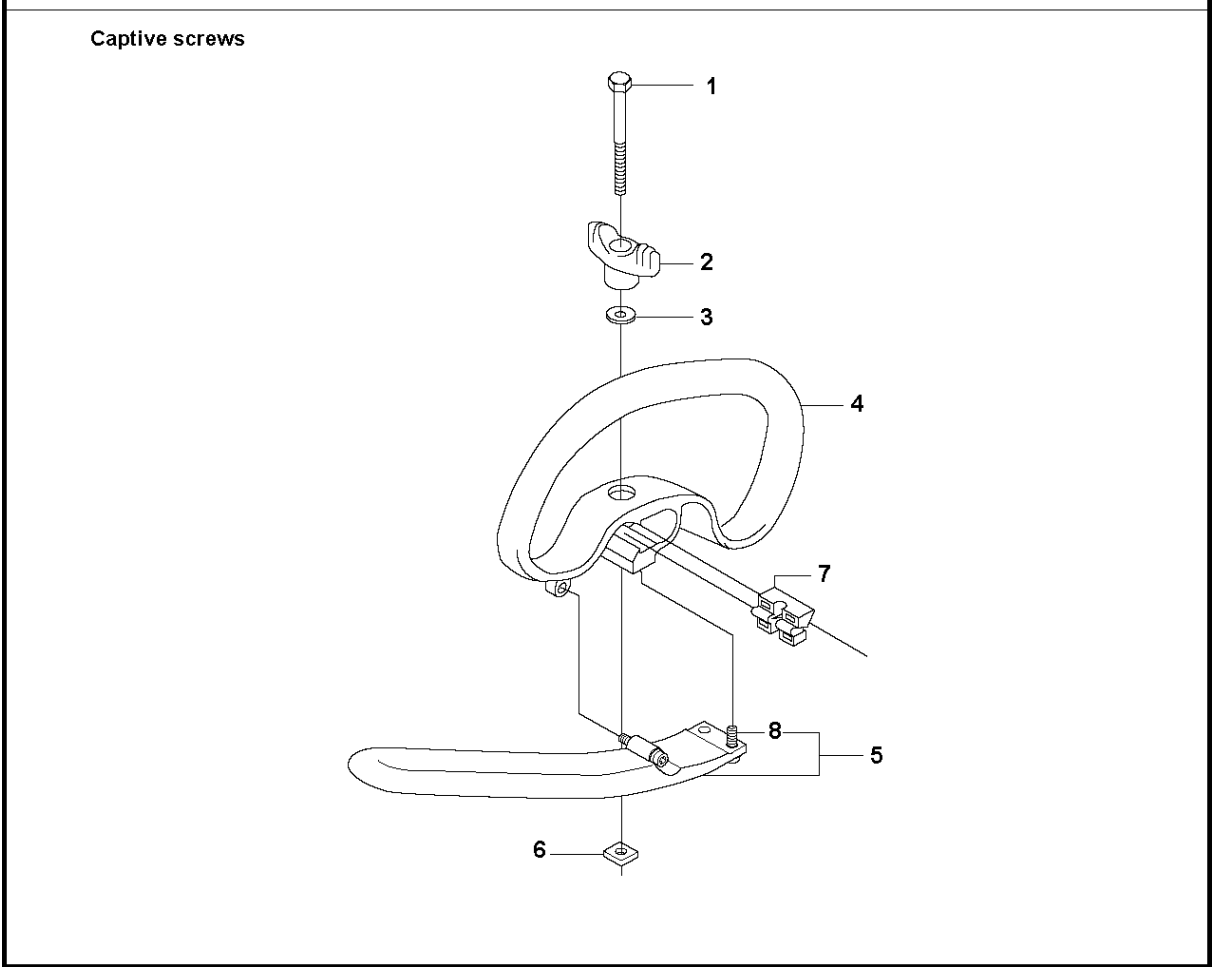
L 333R, 333RJ
335FR, 335LS, 335Lx, 335RJx, 335Rx.
FUEL TANK



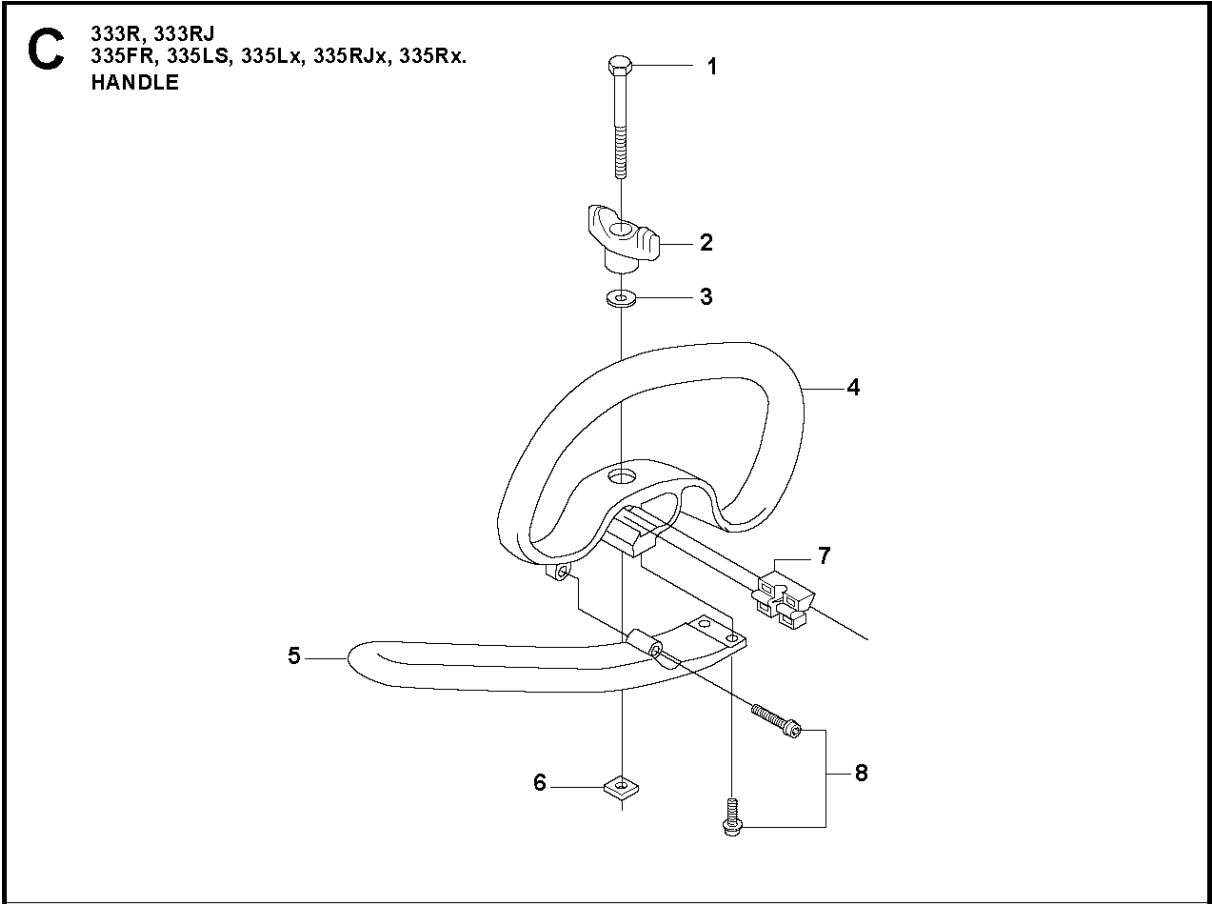
FUEL TANK

335 FR

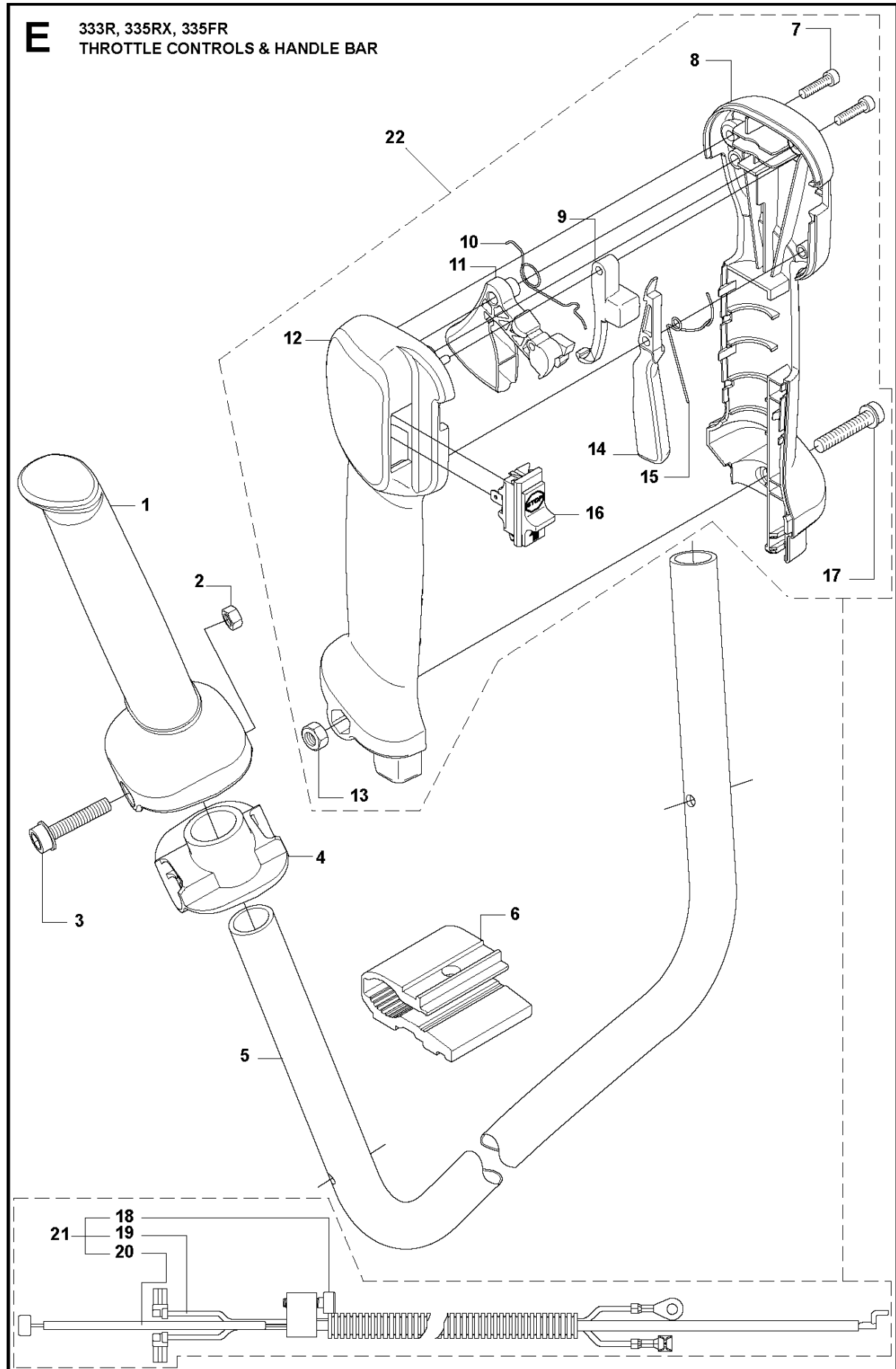
Ref	Part no.	Description	Remark	Qty	Kit
1	503 93 66-01	PRIMER HOUSING		1	
2	537 04 24-12	FUEL HOSE		1	
3	537 05 23-01	FUEL HOSE		1	
4	537 04 24-12	FUEL HOSE		1	
5	503 73 58-01	BUSHING		2	
6	537 18 49-01	O-RING		1	
7	503 44 32-01	FILTER		1	
8	544 32 88-01	TANK ASSY		1	
9	503 91 10-01	SUSPENSION		4	
10	503 91 18-02	TANK CAP		1	



Ref	Part no.	Description	Remark	Qty	Kit
1	725 23 78-51	SCREW EHHM	33RJ, 335LS	1	
1	725 23 80-51	SCREW EHHM	335Lx, 335RJx	1	
2	503 87 90-01	KNOB	335Lx, 335RJx	1	
3	503 23 00-61	WASHER	33RJ, 335LS	1	
4	544 10 10-04	HANDLE.LOOP	Captive screws	1	
5	503 99 78-01	HANDLE.J	Captive screws	1	
6	502 19 71-01	SQUARE NUT		1	
7	544 10 11-01	BLOCK.SPACING		1	
8	574 18 15-01	SCREW IHSCFTO	Captive screws	3	5



Ref	Part no.	Description	Remark	Qty	Kit
1	725 23 78-51	SCREW EHHM	33RJ, 335LS	1	
1	725 23 80-51	SCREW EHHM	335Lx, 335RJx	1	
2	503 87 90-01	KNOB	335Lx, 335RJx	1	
3	503 23 00-61	WASHER	33RJ, 335LS	1	
4	544 10 10-02	HANDLE LOOP		1	
5	503 99 78-01	HANDLE.J	333RJ, 335RJx	1	
6	502 19 71-01	SQUARE NUT		1	
7	544 10 11-01	BLOCK.SPACING		1	
8	501 21 68-16	TBD		3	



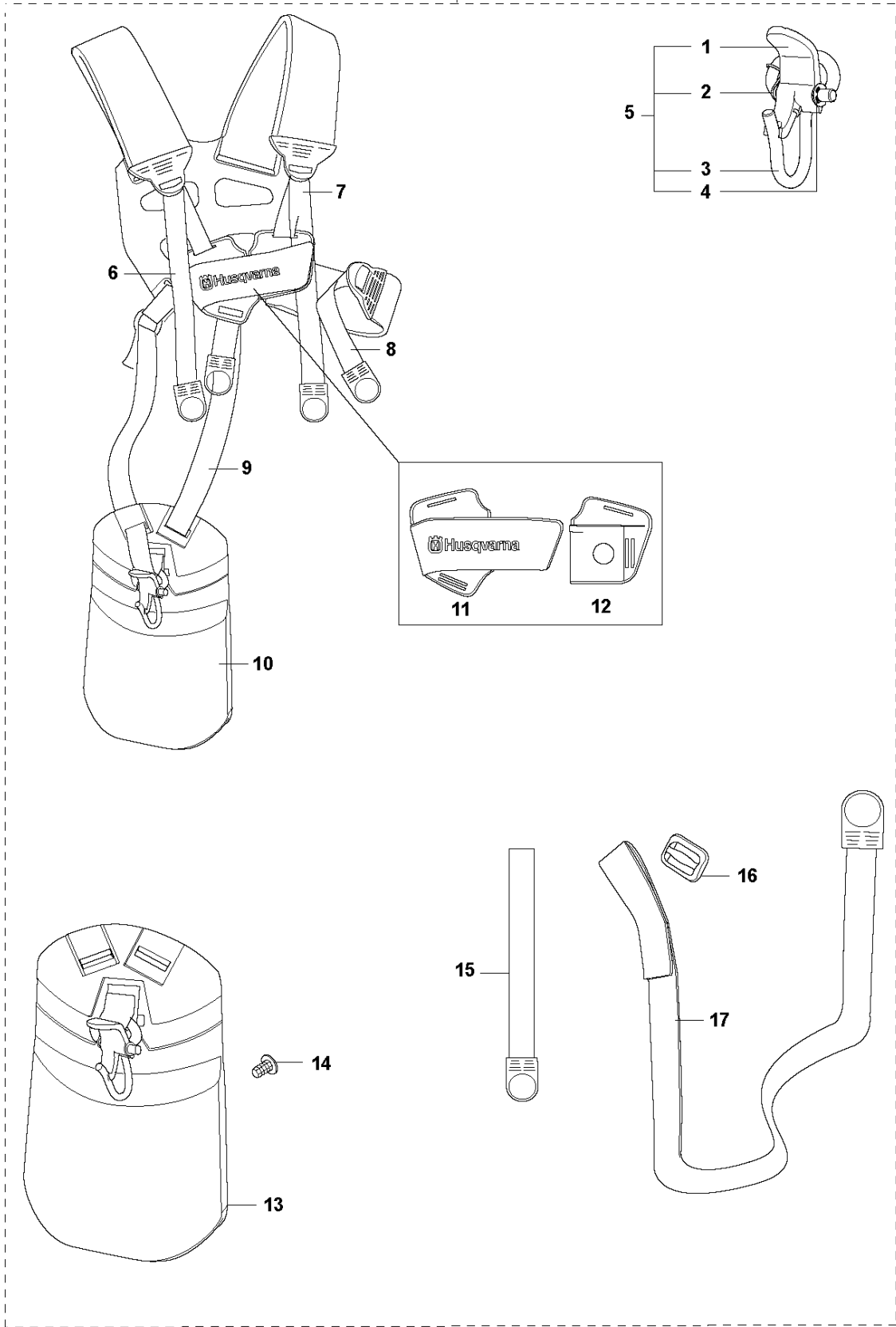
HANDLE & CONTROLS

335 FR

Ref	Part no.	Description	Remark	Qty	Kit
1	537 17 28-01	HANDLE		1	
2	731 23 14-01	HEXAGON NUT		1	
3	503 20 02-45	SCREW IHSCFM		1	
4	537 17 29-01	COVER		1	
5	537 36 00-01	HANDLEBAR		1	
6	503 75 00-02	HANDLEBAR BRACKET		1	
7	503 21 66-18	SCREW IHST	333R, 335Rx, 335FR	2	22
8	537 16 03-01	HANDLE HALF RIGHT	333R	1	22
8	537 16 03-02	HANDLE HALF RIGHT	335Rx, 335FR	1	22
9	537 16 07-01	STARTER THROTTLE LOC	333R, 335Rx, 335FR	1	22
10	537 17 42-01	SPRING THROTTLE TRIG	333R, 335Rx, 335FR	1	22
11	506 49 77-01	THROTTLE CONTROL		1	14
12	537 16 02-03	HANDLE HALF LEFT	333R	1	22
12	537 16 02-02	HANDLE HALF LEFT	335Rx, 335FR	1	22
13	503 22 10-13	HEXAGON NUT	333R, 335Rx, 335FR	1	22
14	506 49 77-01	THROTTLE CONTROL	333R, 335Rx, 335FR	1	22,11
15	537 17 43-01	SPRING	333R, 335Rx, 335FR	1	22
16	537 41 90-01	SWITCH	333R, 335Rx, 335FR	1	22
17	503 20 07-35	SCREW IHSCFM	333R, 335Rx, 335FR	1	22
18	503 21 66-18	SCREW IHST	333R, 335Rx, 335FR	1	21
19	503 87 85-07	SHORT CIRCUIT CABLE	333R, 335Rx, 335FR	1	21
20	537 37 78-01	THROTTLE WIRE ASSY	333R, 335Rx, 335FR	1	21
21	537 35 96-02	WIRING ASSY	333R, 335Rx, 335FR	1	22
22	537 42 45-13	HANDLE SYSTEM ASSY		1	

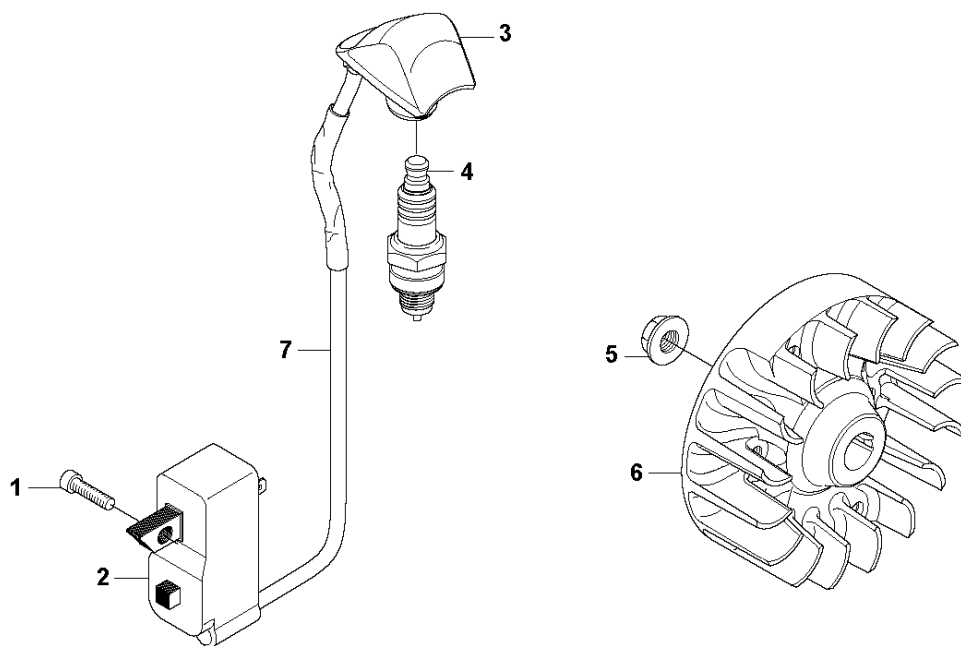
V 333R, 333RJ
335FR, 335LS, 335Lx, 335RJx, 335Rx.
HARNESS

18



Ref	Part no.	Description	Remark	Qty	Kit
1	502 02 30-02	LOCK		1	5
2	502 02 38-01	SPRING		1	5
3	502 02 29-02	HOOK		1	5
4	735 31 09-20	E-CLIP		1	5
5	502 02 28-05	WELT HOOK		1	
6	503 99 61-01	BAND		1	
7	503 99 61-01	BAND		1	
8	503 99 61-01	BAND		1	
9	503 99 61-03	BAND		1	
10	537 27 59-01	HIP PAD		1	
11	537 28 84-01	FRONT PIECE		1	
12	537 28 83-01	FRONT PIECE		1	
13	537 27 59-01	HIP PAD		1	
14	537 17 54-01	HIP PAD		3	
15	503 99 61-01	BAND		3	
16	537 11 35-01	RETAINER		1	
17	503 99 61-03	BAND		1	
18	537 27 57-02	HARNESS	Duo Balance	1	
18	537 27 57-04	HARNESS	Duo Balance US	1	

N 333R, 333RJ
335FR, 335LS, 335Lx, 335RJx, 335Rx.
IGNITION

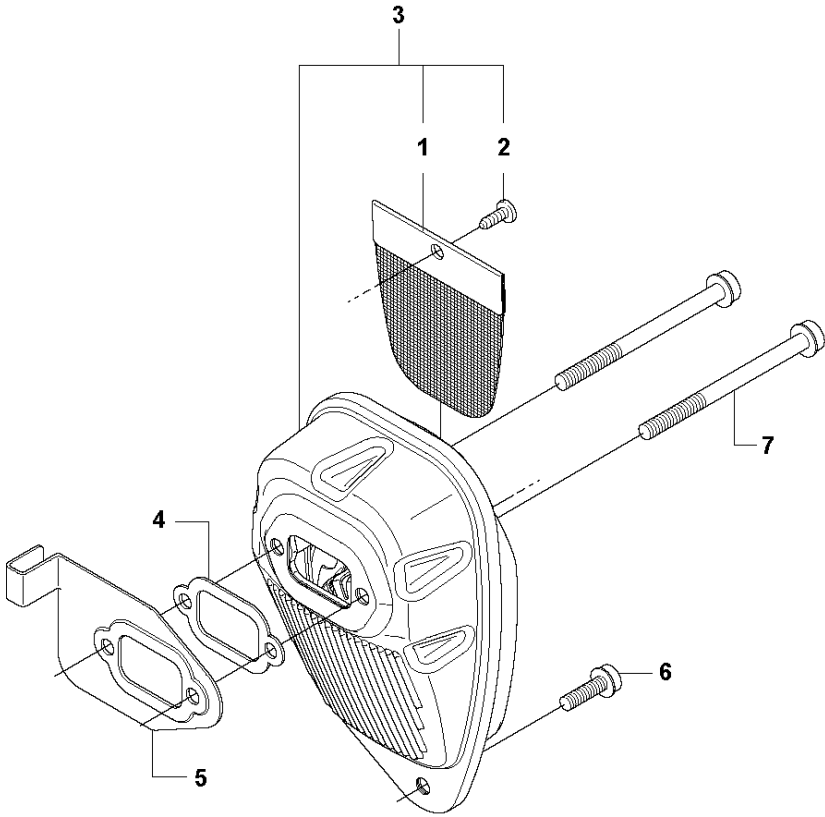


IGNITION SYSTEM

335 FR

Ref	Part no.	Description	Remark	Qty	Kit
1	503 21 66-18	SCREW IHSCT		2	
2	544 12 70-01	IGNITION MODULE		1	
3	537 43 43-01	SPARK PLUG CAP		1	
4	503 23 51-09	SPARK PLUG	CH RCJ6Y (Ø=14 mm)	1	
5	731 71 16-51	HEXAGON NUT FLANGED		1	
6	537 24 96-01	FLYWHEEL		1	
7	501 53 16-01	CABLE		2	

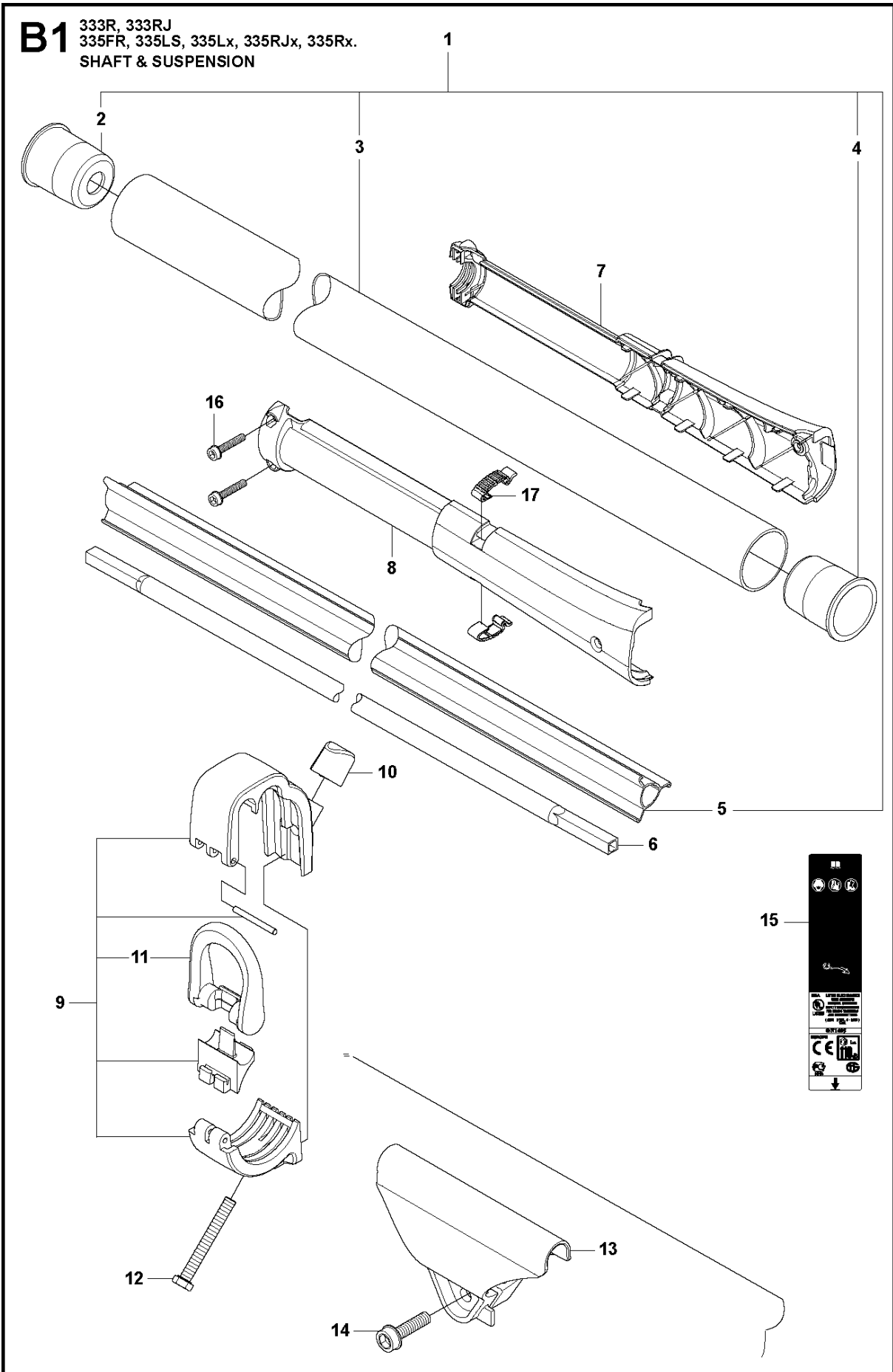
J 333R, 333RJ
335FR, 335LS, 335Lx, 335RJx, 335Rx.
MUFFLER



MUFFLER

335 FR

Ref	Part no.	Description	Remark	Qty	Kit
1	537 32 47-01	SPARK ARRESTOR SCREEN		1	3
2	724 12 87-59	SCREW CRPANM		1	3
3	544 11 67-01	MUFFLER ASSY	335Rx, 335RJx, 335Lx, 335LS	1	
3	544 11 67-02	MUFFLER ASSY	333RJ, 333R	1	
4	537 33 31-01	GASKET		1	
5	537 34 08-01	AIR CONDUCTOR		1	
6	503 20 03-20	SCREW IHSCFM		1	
7	503 20 29-63	SCREW IHSCFM		2	



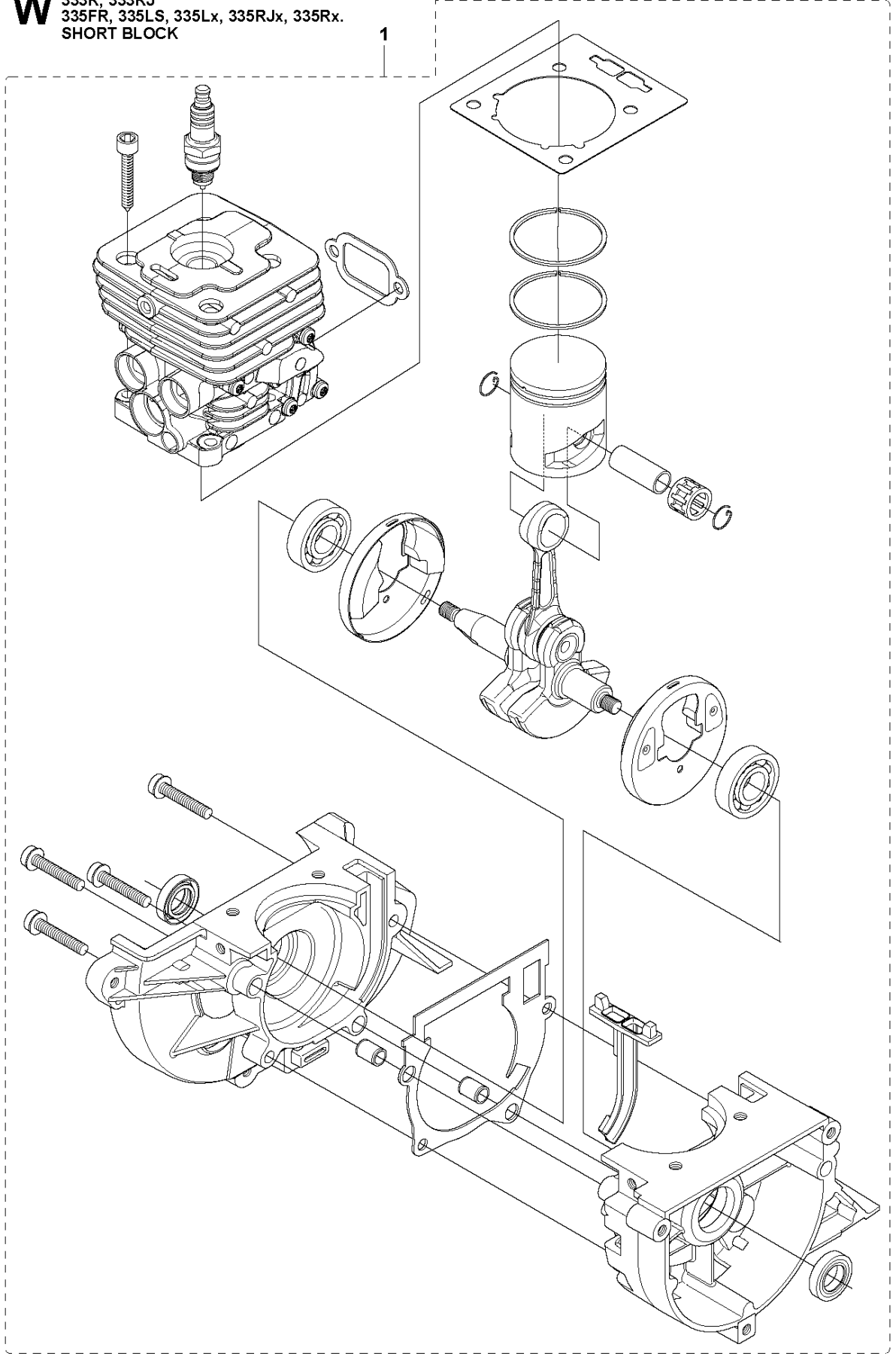
SHAFT & SUSPENSION

335 FR

Ref	Part no.	Description	Remark	Qty	Kit
1	537 21 42-01	TUBE	333R, 335Rx, 335FR	1	
2	537 36 02-02	SPACER		1	1
3	537 21 41-01	TUBE	Ø = 28mm, L = 1483mm	1	1
4	537 36 02-01	SPACER		1	1
5	537 31 39-01	GUIDE	Ø = 9mm, L = 1400mm	1	1
6	537 35 52-01	DRIVE SHAFT	Ø = 8mm, L = 1527mm	1	
7	505 13 71-01	WEAR PROTECTION		1	
8	505 13 72-01	WEAR PROTECTION		1	
9	505 16 09-01	LOOP ASSY		1	
10	537 13 04-02	KNOB		1	
11	537 35 01-01	LOOP		1	9
12	725 23 39-51	SCREW EHHM		1	
13	537 37 61-01	WIRING		1	
14	503 21 75-16	SCREW IHSCFT		1	
15	537 29 48-01	LABEL		1	
16	503 20 07-78	SCREW IHSCFM		2	
17	537 38 72-01	SNAP		2	

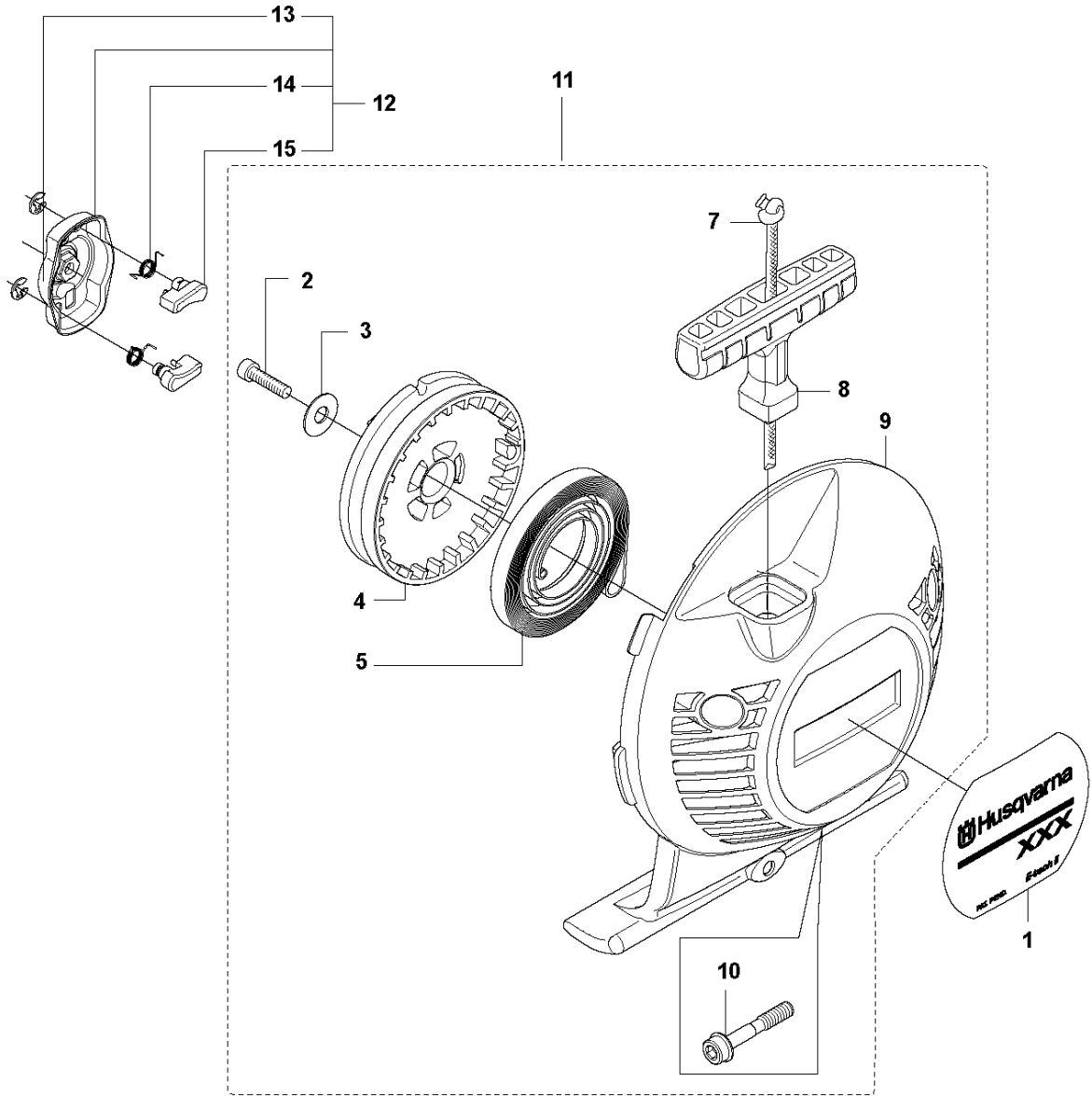
W 333R, 333RJ
335FR, 335LS, 335Lx, 335RJx, 335Rx.
SHORT BLOCK

1



Ref	Part no.	Description	Remark	Qty	Kit
1	576 79 68-01	SHORT BLOCK		1	

K2 333R, 333RJ
335FR, 335LS, 335Lx, 335RJx, 335Rx.
STARTER

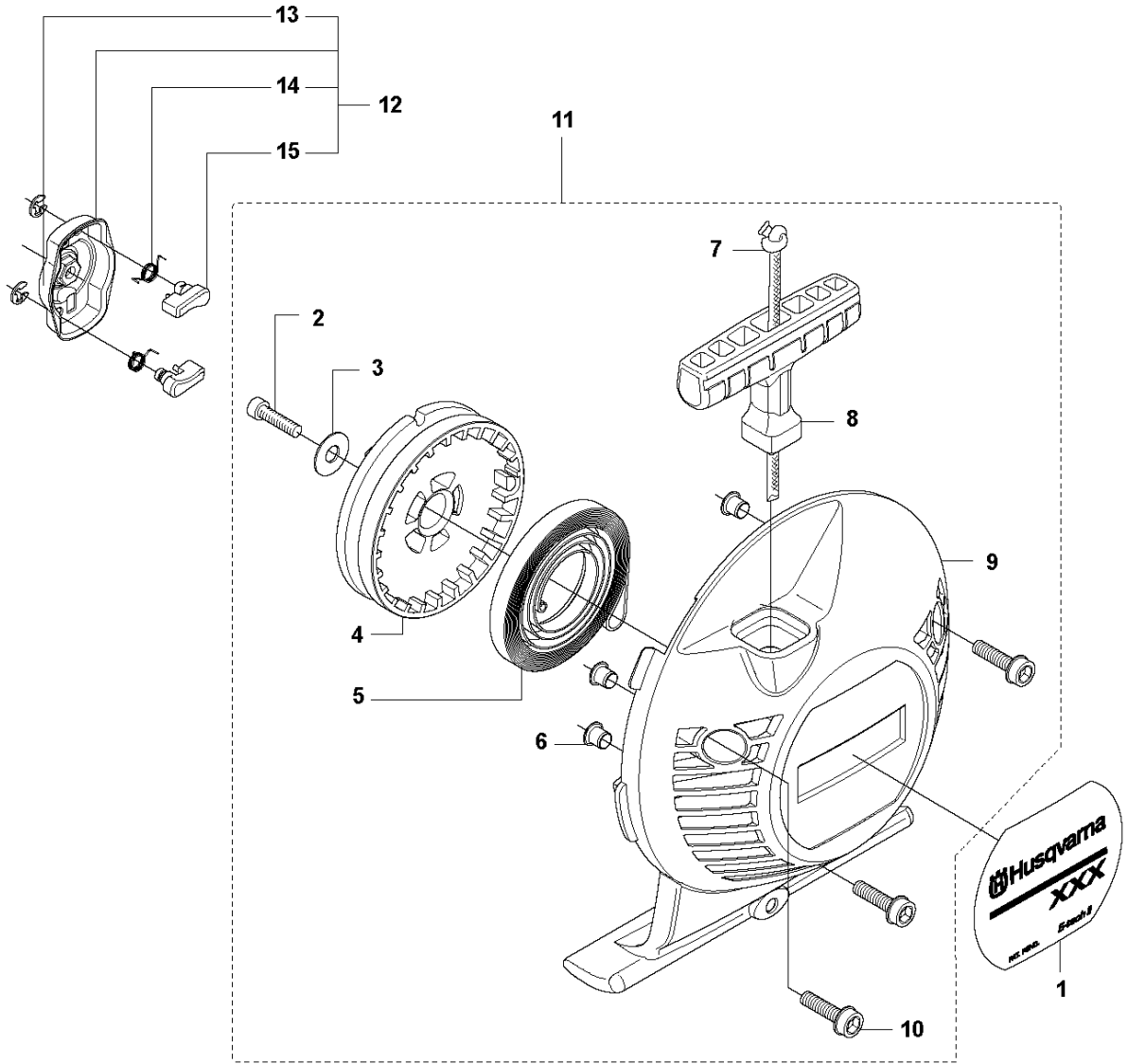


STARTER

335 FR

Ref	Part no.	Description	Remark	Qty	Kit
1	537 32 24-05	LABEL	333R	1	
1	537 32 24-06	LABEL	335Rx	1	
1	537 32 24-09	LABEL	335FR	1	
1	537 32 24-08	LABEL	335LS	1	
2	503 21 79-20	SCREW IH SCT		1	11
3	535 07 23-01	WASHER		1	11
4	537 32 50-02	STARTER PULLEY		1	11
5	503 85 99-01	RECOIL SPRING		1	11
7	505 30 51-25	STARTER CORD		1	11
8	503 54 39-01	STARTER HANDLE		1	11
9	544 10 25-02	STARTER	Spare part incl. Screws Pos. 10	1	11
10	573 99 43-05	SCREW IH SCFMO	Captive screws	3	9, 11
11	537 21 47-07	STARTER ASSY		1	
12	503 87 33-05	STARTER PAWL BRIDGE		1	
13	735 31 08-20	E-CLIP		2	12
14	503 87 36-01	SPRING		1	12
15	503 87 35-02	STARTER PAWL		2	12

K1 333R, 333RJ
335FR, 335LS, 335Lx, 335RJx, 335Rx.
STARTER

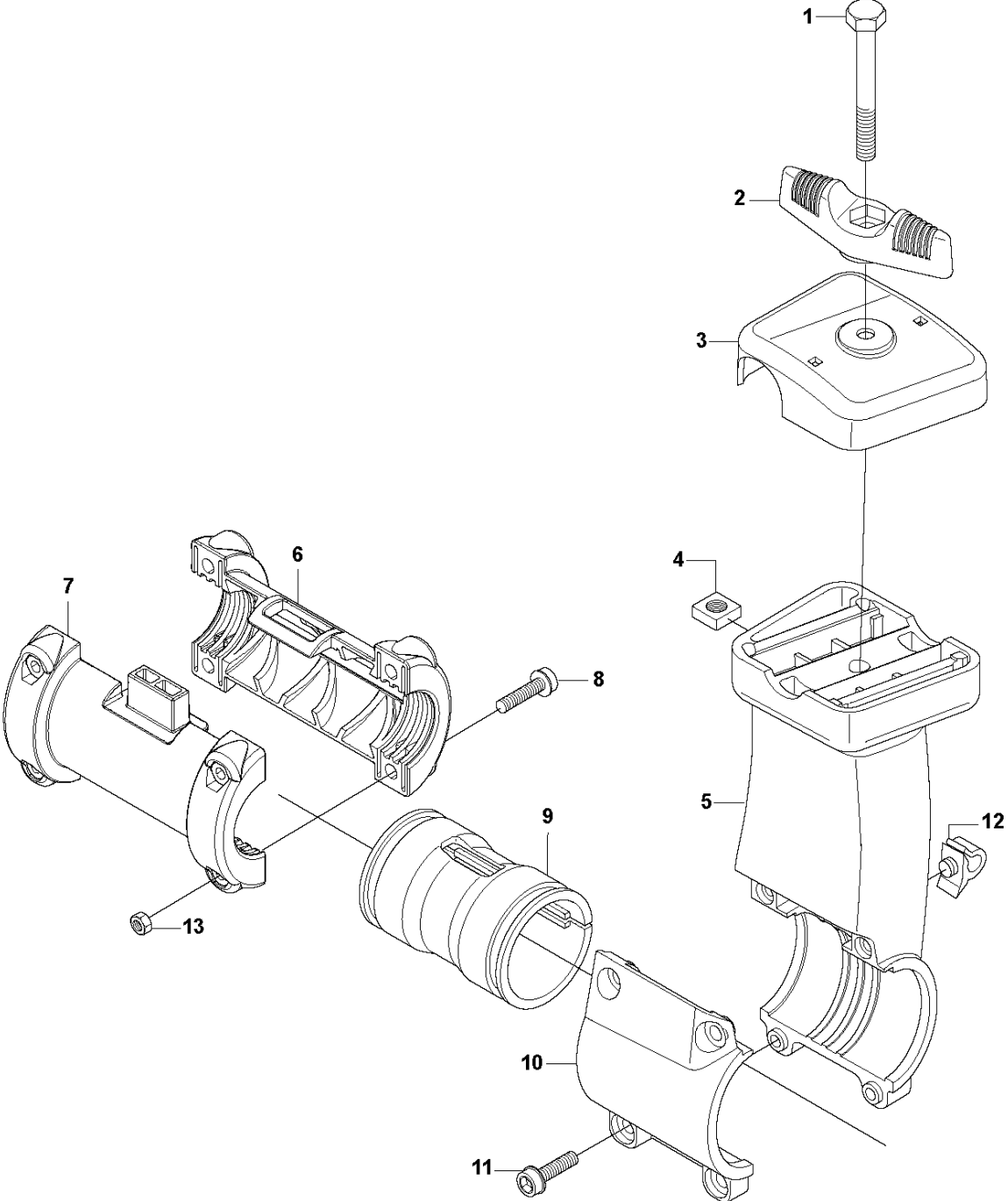


STARTER

335 FR

Ref	Part no.	Description	Remark	Qty	Kit
1	537 32 24-05	LABEL	333R	1	
1	537 32 24-06	LABEL	335Rx	1	
1	537 32 24-09	LABEL	335FR	1	
1	537 32 24-08	LABEL	335LS	1	
2	503 21 79-20	SCREW IH SCT		1	11
3	535 07 23-01	WASHER		1	11
4	537 32 50-02	STARTER PULLEY		1	11
5	503 85 99-01	RECOIL SPRING		1	11
6	537 37 38-02	TUBULAR RIVET		3	11
7	505 30 51-25	STARTER CORD		1	11
8	503 54 39-01	STARTER HANDLE		1	11
9	544 27 93-01	STARTER		1	11
10	503 20 03-20	SCREW IHSCFM		3	11
11	537 21 47-03	STARTER ASSY		1	
12	503 87 33-05	STARTER PAWL BRIDGE		1	
13	735 31 08-20	E-CLIP		2	12
14	503 87 36-01	SPRING		1	12
15	503 87 35-02	STARTER PAWL		2	12

D3 335FR
TOWER



Ref	Part no.	Description	Remark	Qty	Kit
1	725 23 82-85	SCREW EHHM		1	
2	502 20 38-01	KNOB		1	
3	537 37 63-01	COVER		1	
4	502 19 71-01	SQUARE NUT		1	
5	504 91 27-01	BRACKET ASSY		1	
6	501 38 03-01	CLAMPING SLEEVE		2	
7	505 22 04-01	CLAMPING SLEEVE ASSY		1	
8	503 20 07-78	SCREW IHSCFM		4	
9	537 34 89-01	ANTIVIBRATION ELEMENT		1	
10	537 34 87-01	CAP		1	
11	503 21 06-19	SCREW IHSCFT		4	
12	502 28 61-01	CLIPS		1	
13	731 23 14-01	HEXAGON NUT		4	

Illustrated Parts List - IPL Update



Product Name(s)

333 R, 333 RJ, 335 FR, 335 RJX, 335 RX, 535 FBX, 535 LS, 535 RJ, 535 RX, 535 RXT, 335 LS, 335 LX, BC2236, CC2236, GC2236

Description of change

New carburettor, EL36D, replaces EL36C.

	Serial number / Date	Remark
Introduced from	20131400000	

Page Title	Ref. no	New part no	Name	Excl. part no.	Remark
CARBURET OR	1	581 16 75-01	CARBURETTO R	544 32 56-01	
CARBURET OR	10	581 89 95-01	NOZZLE ASSY	537 38 73-01	
CARBURET OR	15	503 47 81-01	SPRING	537 02 03-01	
CARBURET OR	17	537 37 03-01	VALVE	537 02 11-01	
CARBURET OR	30	581 89 93-01	SCREW	537 38 75-01	
CARBURET OR	32	537 38 50-01	CLIP	537 41 77-01	
CARBURET OR	34	576 74 66-01	SPRING	537 41 78-01	
CARBURET OR	36	502 07 84-01	SCREW	503 47 90-01	
CARBURET OR	44	544 37 21-01	SHAFT ASSY	537 38 74-01	
CARBURET OR & AIR FILTER	8	581 16 75-01	CARBURETTO R	544 32 56-01	

Comments

--